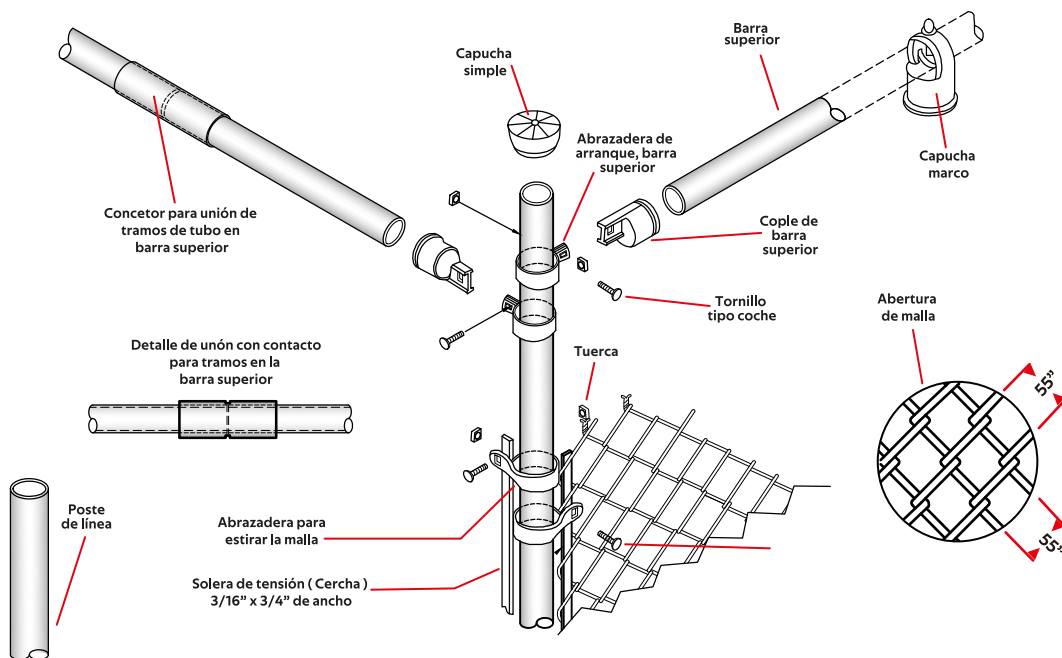




MALLA CICLONICA

ACCESORIOS PARA INSTALACIÓN



Abertura	Altura	CALIBRE 9	CALIBRE 10.5	CALIBRE 11	CALIBRE 11.5	CALIBRE 12.5	CALIBRE 13
55	1.00	X	✓	✓	✓	✓	✓
	1.25	X	✓	✓	✓	✓	✓
	1.50	X	✓	✓	✓	✓	✓
	1.75	X	✓	✓	✓	✓	✓
	2.00	10 m de largo	✓	✓	✓	✓	✓
	2.50	10 m de largo	✓	✓	✓	✓	✓
	3.00	10 m de largo	✓	✓	✓	✓	✓
63	1.00	X	✓	✓	✓	✓	✓
	1.25	X	✓	✓	✓	✓	✓
	1.50	X	✓	✓	✓	✓	✓
	1.75	X	✓	✓	✓	✓	✓
	2.00	X	✓	✓	✓	✓	✓
	2.50	X	✓	✓	✓	✓	✓
	3.00	X	✓	✓	✓	✓	✓
69	1	X	✓	✓	✓	✓	✓
	1.25	X	✓	✓	✓	✓	✓
	1.5	X	✓	✓	✓	✓	✓
	1.75	X	✓	✓	✓	✓	✓
	2.00	X	✓	✓	✓	✓	✓
	2.50	X	✓	✓	✓	✓	✓
	3.00	X	✓	✓	✓	✓	✓